

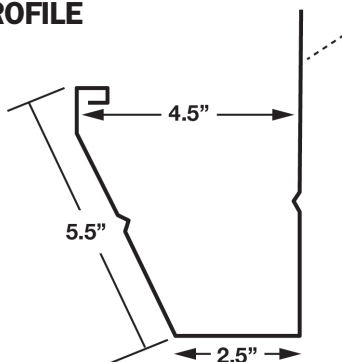
# EM 5½" FASCIA GUTTER

Seamless Gutter Machine



Every gutter company needs an EM 5½" Fascia Gutter Machine for those gutter jobs that do not have fascia installed; a 5½" fascia gutter is commonly used with 2x4 trusses. Our 5½" fascia gutter machine features unique and fully driven forming stations that are enclosed with a steel cover to protect the operators and keep the roll-former free and clear of debris. All bearings are factory-sealed. Eastside fascia gutter machines are driven by a powerful 1.5HP, 110-volt single phase motor and are constructed of heavy gauge steel. The EM 5½" Fascia Gutter machine is completely enclosed, and has removable side panels for serviceability. The machine is powder-coated inside and out with a heavy-duty industrial paint finish for protection and features industrial nitrocarburized (QPQ) steel rollers. Nitrocarburizing rollers allow for improved wear, lubricity, strength and corrosion resistance.

## PROFILE



## GET MORE INFO



info@eastsidemachine.com  
 TOLL-FREE (800) 234-7834  
 www.eastsidemachine.com

(701) 237-5952 | FAX (701) 232-6666  
 474 45th St S, Fargo, ND 58103  
 PO Box 2426, Fargo, ND 58108-2426

## STANDARD PACKAGE

- 1 5½" Fascia Gutter Machine
- 2 Coil Spool Assemblies with Turntables
- 1 Guillotine Cutter
- 3 Run-Out Stands

## FEATURES

- Fully driven forming stations
- Factory-sealed bearings
- Unique forming process
- Enclosed forming
- Industrial nitrocarburized rollers
- Pencil bead (or optional double pencil bead or optional 3/4" wide bead)

## INCLUDES

- Operational training and technical support
- 2-year warranty

## SPECIFICATIONS

### DIMENSIONS

**LENGTH**.....18'  
**WIDTH** ..... 23"  
**HEIGHT** ..... 55"

**WEIGHT** ..... 1370 lbs  
 (2170 lbs with 2 turntables and coil spool mounts)

**COIL WIDTH** ..... 14" and 15"  
 (Options available upon request)

### MATERIAL

**STEEL** ..26-29 gauge, Grade D

**ALUMINUM** ..... 0.024 - 0.032

**COPPER** ..... 16 or 20 oz

**POWER** ..... 1.5HP, 110V,  
 Single Phase, 18A

**SPEED** ..... Approx 36 ft/min

**FORMING STATIONS** ..... 12

**SHEAR/CUTTER** ..... Side Pull  
 Guillotine

**CONTROLS** ..... Drumswitch at  
 exit end with Jog/Run